

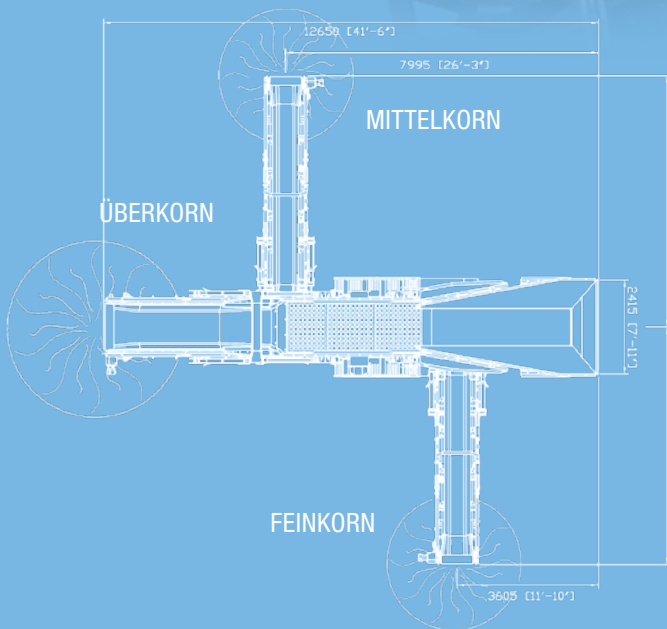


CONTRACTOR LINE

# MOBISCREEN MS 13 Z

TECHNISCHE INFORMATIONEN

■ MOBILE SIEBANLAGEN

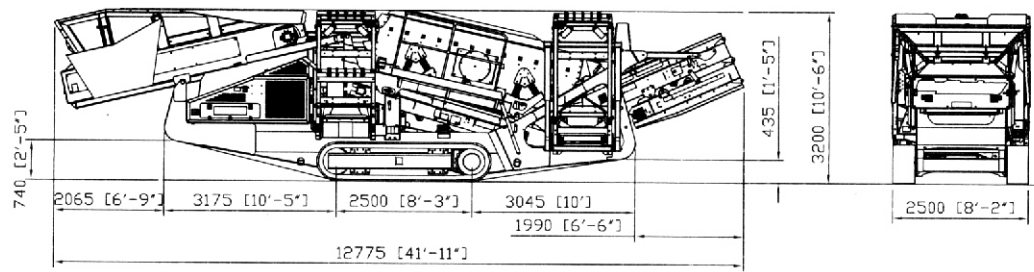
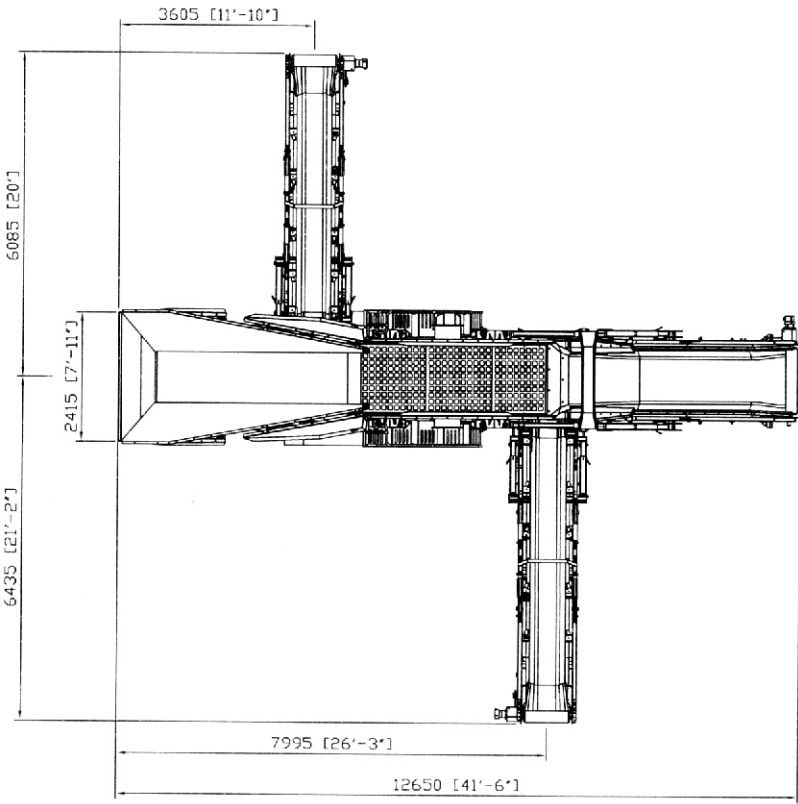
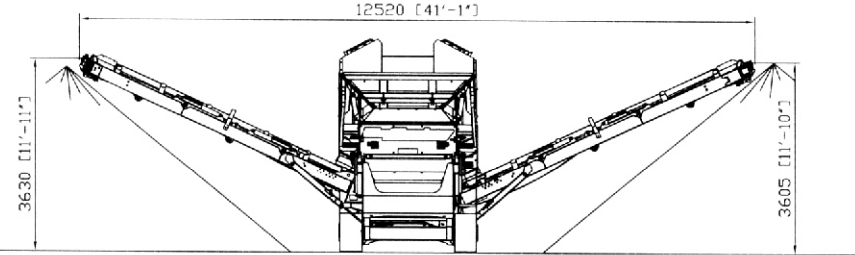
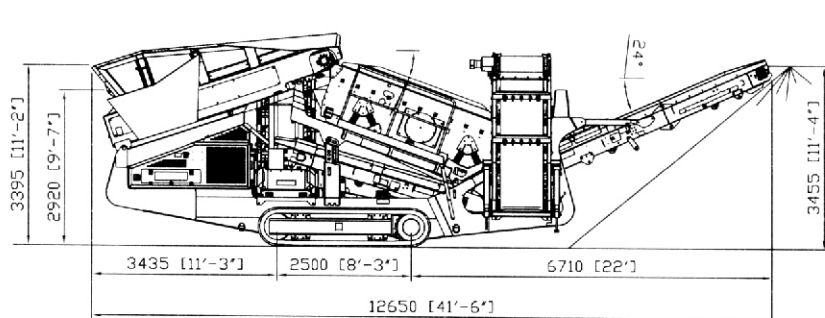


MOBISCREEN MS 13 Z  
STANDARDAUSFÜHRUNG

TECHNISCHE INFORMATIONEN MS 13 Z-AD

<b>Aufgabeeinheit</b>		<b>Austragsband Überlauf Unterdeck (Mittelkorn)</b>	
Aufgabeleistung bis ca. (t/h)	300	Breite x Länge (mm)	800 x 7600
Aufgabegröße max. (mm)	400 x 400	Abwurfhöhe ca. (mm)	2600 - 3600
Aufgabehöhe (mm)	3395 (2920)	<b>Austragsband Überlauf Oberdeck (Überkorn)</b>	
Trichtervolumen (m³)	6	Breite x Länge (mm)	1200 x 4600
<b>Bandförderer Aufgabe</b>		Abwurfhöhe ca. (mm)	3100 - 3400
Breite x Länge (mm)	1200 x 3900	<b>Fahrwerk</b>	
Typ (optional)	geschwindigkeitsvariabel	Typ	D3
<b>Absiebung</b>		<b>Diesel-Hydraulikantrieb</b>	
Typ	Doppeldecker-Siebmaschine	Motorisierung (kW)	75
Oberdeck Breite x Länge (mm)	1370 x 3660	<b>Transport</b>	
Unterdeck Breite x Länge (mm)	1370 x 3455	Transporthöhe ca. (mm)	3200
<b>Bandförderer Abzug Feinkorn</b>		Transportlänge ca. (mm)	13035
Breite x Länge (mm)	1050 x 3300	Transportbreite ca. (mm)	2500
<b>Austragsband Durchgang Unterdeck (Feinkorn)</b>		Transportgewicht ca. (kg)	23000
Breite x Länge (mm)	800 x 6800		
Abwurfhöhe ca. (mm)	3200 - 3600		





**TRANSPORT WEIGHT - 23,000 Kg**



REV.	DATE	DESCRIPTION	BY	CHECKED
001	12/10/08	Initial design		
002		Revised design		
003		Final design		
004		Final design		
005		Final design		
006		Final design		
007		Final design		
008		Final design		
009		Final design		
010		Final design		
011		Final design		
012		Final design		
013		Final design		
014		Final design		
015		Final design		
016		Final design		
017		Final design		
018		Final design		
019		Final design		
020		Final design		
021		Final design		
022		Final design		
023		Final design		
024		Final design		
025		Final design		
026		Final design		
027		Final design		
028		Final design		
029		Final design		
030		Final design		
031		Final design		
032		Final design		
033		Final design		
034		Final design		
035		Final design		
036		Final design		
037		Final design		
038		Final design		
039		Final design		
040		Final design		
041		Final design		
042		Final design		
043		Final design		
044		Final design		
045		Final design		
046		Final design		
047		Final design		
048		Final design		
049		Final design		
050		Final design		
051		Final design		
052		Final design		
053		Final design		
054		Final design		
055		Final design		
056		Final design		
057		Final design		
058		Final design		
059		Final design		
060		Final design		
061		Final design		
062		Final design		
063		Final design		
064		Final design		
065		Final design		
066		Final design		
067		Final design		
068		Final design		
069		Final design		
070		Final design		
071		Final design		
072		Final design		
073		Final design		
074		Final design		
075		Final design		
076		Final design		
077		Final design		
078		Final design		
079		Final design		
080		Final design		
081		Final design		
082		Final design		
083		Final design		
084		Final design		
085		Final design		
086		Final design		
087		Final design		
088		Final design		
089		Final design		
090		Final design		
091		Final design		
092		Final design		
093		Final design		
094		Final design		
095		Final design		
096		Final design		
097		Final design		
098		Final design		
099		Final design		
100		Final design		

MS132 SALES DRAWING  
MR105-1000  
A1